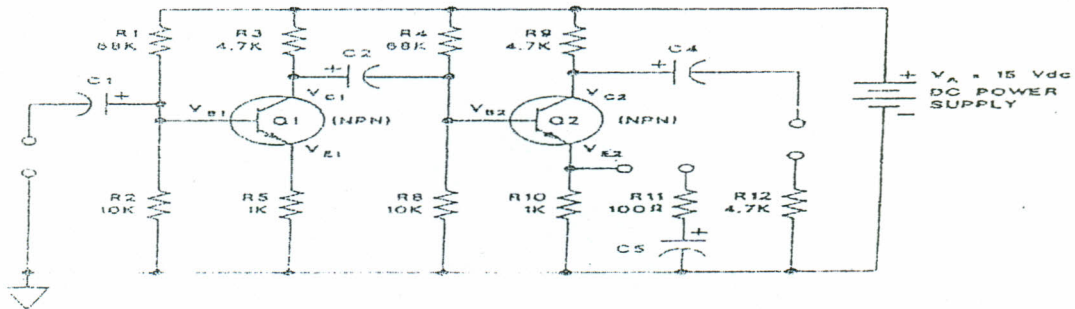


Answer ALL Questions (10 Marks for each of Q1 & Q2, 15 Marks for each of Q3 & Q4)

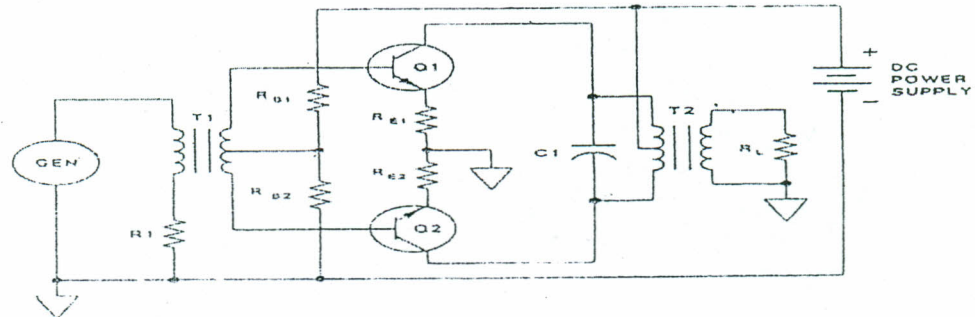
I) In the following RC coupled amplifier:

- Give possible values for the DC voltages V_{B1} , V_{C1} , and V_{E1} for this circuit to work as an amplifier (Explain your answer- no detailed mathematical analysis is required)
- If R_5 is changed from 1K to 4.7K Give possible values for the DC voltages V_{B1} , V_{C1} , and V_{E1} compared to values of part a (Explain your answer- no detailed mathematical analysis is required)
- What if C_2 is reduced 100 times? (Explain your answer- no detailed mathematical analysis is required)
- What are the effects of including C_4 and R_{12} in the circuit? (Explain your answer- no detailed mathematical analysis is required)



II) In the following circuit: (Use graphs to illustrate your answers as possible)

- Draw the waveform at the collector of Q_1 , Q_2 , across C_1 , and across R_L if R_{B1} , and R_{B2} are disconnected. Explain your answer
- Repeat part (a) if R_{B1} , and R_{B2} are connected as shown in the figure. Explain your answer
- Explain how this circuit is configured to use 2 NPN transistors
- What are the parameters that affects the circuit efficiency



III- a) Define the following terms for microwave transmission line: Characteristic impedance, reflection coefficient, voltage standing wave ratio(VSWR), propagation constant.

b) Sketch a block diagram of an experimental set-up to measure VSWR in a microwave T.L. and explain the function of each block.

IV-a) Explain why modulation process is used? b) State at least one linear and one nonlinear modulation schemes and explain on what bases linear and nonlinear is defined?

c) Show a block diagram for set-up to carry on F.M. modulation/demodulation experiments in the lab and explain the function of each block.

d) With the aid of a table , state the main differences between A.M., F.M., and P.M. from the point of view of : Bandwidth, commercial applications, noise , linearity, type of detectors.

GOOD LUCK

Prof. F.W.Zaki, assoc.Prof. M.M. Elzalabani, and Assoc. Prof. Shereef S. Kishk