



Original Article

Vegetation Composition Related to Environmental Factors Along the International Highway-West Alexandria, Egypt

¹Oday N. Al-Hadithy, ¹Ashrf M. Youssef, ¹Raifa A. Hassanein and ^{2*}Yasser A. El-Amier

¹Botany Department, Faculty of Science, Ain Shams University, Egypt

²Botany Department, Faculty of Science, Mansoura University, Egypt

Article Info

Article history :

Received 3/6/2018
Received in revised
form 25/7/2018
Accepted 29/7/2018

Keywords:

Roadside vegetation
Coastal vegetation
Egypt
Multivariate analysis
Soil-vegetation relationship

Abstract

Roadside vegetation is exposed to a variety of biotic and abiotic stresses that can affect the abundance and distribution of natural vegetation. The present study aimed to characterize the ecological features of the vegetation along the international coastal road from El-Ajami to Ras El-Hekma, West Alexandria, Egypt. The total number of the recorded plant species surveyed in the present study was 84 species (44 annuals, two biennial and 38 perennials) belonging to 74 genera and related to 25 families. Asteraceae, Poaceae, Fabaceae and Chenopodiaceae were the largest families (53.57% of the total species, collectively). Therophytes is the most abundant life forms. The Mediterranean chorotype (58.32%) was the most represented. On the basis of the presence values, the classification of the 84 plant species recorded in 60 stands by cluster analysis yielded four vegetation groups. Group A (47 species) was dominated by *Carthamus tenuis*, group B (39 species) was dominated by *Lactuca serriola*, group C (52 species) was dominated by *Bromus diandrus* and group D (71 species) was dominated by *Suaeda pruinosa*. Calcium carbonate, organic carbon, electrical conductivity, bicarbonate, Cl^- , Na^+ and Ca^{++} showed clear significant differences between groups. The application of Canonical Correspondence Analysis (CCA) showed that, the percentages of porosity, CaCO_3 , Cl^- , SO_4^{--} , HCO_3^- and cations (Na^+ , K^+ , Ca^{++} and Mg^{++}) are the most effective soil variables. The current study revealed that the coastal sector in Egypt suffers from unplanned development, salt water intrusion and salinization of the soil, so the development of the highway needs a balance between conservation and development.

1. Introduction

Urbanization and related anthropogenic activities frequently disturb and alter plant composition and directly lead to the degradation of local biodiversity as well as alternation of ecosystem process (Davies and Pullin, 2007; Flory and Clay, 2009). Coastal areas in Egypt suffer from a number of serious problems, including unplanned development, land degradation, excessive erosion rates, water cuts, intrusion of saline water, salinization of soil and degradation of ecosystems (El-Sadek and Ayyad 2000). Therefore, the development of highway infrastructure represents a particularly difficult balance between conservation and development.

The vegetation of the Mediterranean coastal region of Egypt is considered to be one of its major natural resources. Most of these species are therophytes that flourish during the rainy season, giving the coastal belt a temporary showy grassland desert (Zahran and El-Amier, 2013). Its proper utilization plays a key role in the sound of this region which is known to have enjoyed prosperity during the Graeco-Roman times (Kassas, 1972 and Shaltout, 1983). The western desert of Egypt occurs on the west side of the river Nile. It extends from the Mediterranean coast in the north to the Egyptian-Sudanese border in the south (about 1073 km), and from the Nile valley in the east to the Egyptian-Libyan border in the west, a width between 600 and 750 km. it covers about 689.000 km² that represents approximately two-third of Egypt's area (Zahran and Willis, 2009).

The international coastal highway, connecting the most eastern and western towns in Egypt, was constructed a parallel to the northern coast (El Raey, 1997; Eid and El-Marsafawy,

* Correspondence address:

Tel.: 01017229120

E-mail address: yasran@mans.edu.eg

2002). The human impact is the main factor affecting the abundance and distribution of natural vegetation in the desert (Abd El-Ghani *et al.*, 2013). Moreover, roadside vegetation is exposed to a variety of biotic and abiotic stresses that can affect the composition of plant. Drought, pollution, disease, insects, lack of nutrients, and roadbed management practices may potentially act alone or synergistically to adversely affect plants in proximity to the roadside (Spellerberg, 1998; Jackson, 2000). Therophytes (67%) cover forms the permanent framework of the desert vegetation during rainy seasons, followed by geophytes (11%), halophytes and helophytes, and are the best indicator of the habitat conditions (Stottele, 1995; Zahran and Willis, 2009).

The flora and vegetation of the roadside habitat in Egypt attract the attention of many researchers (Morsy *et al.*, 2008; Abdel Rahman and El Hadidy, 1958; Abd El-Ghani *et al.*, 2013; El-Amier and Abdulkader, 2015). Moreover, the vegetation of the international coast highway from El Arish to Rafah on Sinai coast was studied by Abd El-Ghani and El-Sawaf (2005) and from Port Said to Abu-Qir of Delta coast was studied by El-Amier and Abd El-Gawad (2017). However, the vegetation composition of roadside habitat of the major part of the international coastal highway, northern Egypt, still not studied well. Therefore, the present study aimed to characterize the ecological features of the international coastal road-West Alexandria, Egypt.

2. Materials and methods

2.1. Study area

The Mediterranean coastal desert of Egypt (the northern coast) extends from Sallum eastward to Rafah for about 970 km (Zahran and Willis, 2009). The area selected study lies between 29° 66' - 28° 90' Easting longitude (El-Ajami) and 31° 3' - 30° 85' Northern latitude (Ras El-Hekma). The sampled stands are distributed in two governorates of Egypt, namely: Alexandria and Marsa Matruh (Figure 1).

The soils of the western Mediterranean coastal land of Egypt are young and essentially alluvial. They are derived from two main sources. The first is Maruit tableland (inland plateau), composed essentially of limestone alternating with strata of limestone and shale, and the second source is beach deposits composed of calcareous oolitic grains (Harga, 1967).

The study area generally falls under the arid Mediterranean type (Zahran and Willis, 2009). The Mediterranean coastal region of Egypt belongs to the warm coastal desert climate. The warmest month in summer has a mean temperature above 20 °C. Occasional short rain storms occur in winter, but most of the days are sunny and mild (Meig, 1973). The floristic elements of the western Mediterranean coastal belt enjoy better climatic conditions than those of the other parts of Egypt.

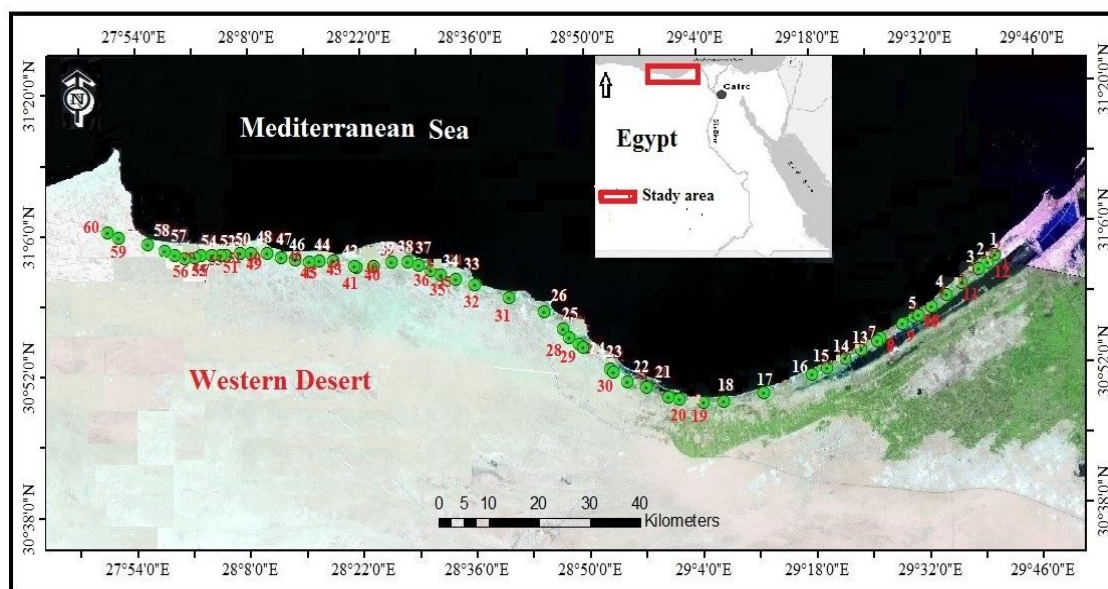


Fig. 1. Map showing the study area.

2.2. Vegetation analysis

A quantitative survey of the roadside vegetation was conducted during the wet season from February to April in 2016. Sixty stands (area = 10×10 m each) were randomly chosen on the roadside of the international coastal highway for sampling vegetation. The density and cover of each species have been estimated in each selected stand according to Shukla and Chandel (1989) and Canfield (1941). Relative values of density and cover were calculated for each plant species and summed up as the importance value (IV). Nomenclature and floristic categories of the plant species within the study area according to Tackholm (1974), Boulos

(1999-2005) and Zohary (1966 and 1972). The plant life forms were identified according to the scheme of Raunkiaer (1934).

2.3. Soil analysis

Sixty samples of surface soil were collected as a mixture from 0 to 25 cm in depth. It has been air-dried and sieved to obtain representative sub-samples (fine soil) for physical and chemical analysis. Soil texture, water holding capacity (WHC), porosity, organic carbon and sulphate content were determined according to Piper (1947), while Calcium carbonate content was determined by titration against 1 N NaOH and expressed as a percentage (Jackson, 1962). Electric conductivity and pH were determined in soil-water (1:5) in the

manner adopted by Jackson (1962). Carbonates and bicarbonates were determined by titration using 0.1 N HCl (Pierce *et al.*, 1958). Sodium and potassium were determined by flame photometry, while calcium and magnesium were estimated using atomic absorption spectrometer (Allen *et al.*, 1974).

2.4. Data analysis

The cluster analysis (TWINSPAN) of 60 stands and 84 species was performed using the Community Analysis Package program, version 1.2 and Detrended Correspondence Analysis (DCA) into groups according to Hill and Smilauer (2005). Canonical Correspondence Analysis (CCA) was used to identify the ecological relationships between the vegetation and the environment along the roadside (ter Braak, 1988). Linear correlations coefficient (r) was calculated for assessing the relationship between the estimated soil variables. The soil variables for each community were subjected to one-way ANOVA and the mean values were separated based on Duncan's test at 0.05 probability level, using COSTAT 6.3 program.

3. Results

3.1. Floristic analysis

The total number of the recorded plant species surveyed in the present study is 84 species (44 annuals, two biennial and 38 perennials) belonging to 74 genera and related to 25 families (Table 1). The largest families were Asteraceae (18 species), Poaceae (12 species), Fabaceae (8 species) and Chenopodiaceae (7 species). These four families are represented collectively by 45 species (53.57% of the total species). While the other 9 families shared 32.15% of the species and 12 families were monospecific.

According to Raunkiaer (1934) the life-forms of the flora in the present study are grouped under six types as follows: therophytes, geophytes, helophytes, hemicryptophytes, chamaephytes and nanophanerophytes (Figure 2). The majority of the recorded species are therophytes (54.65%) followed by chamaephytes (16.28%) then hemicryptophytes (12.79%) and geophytes, nanophanerophytes (5.81%, each). The lowest value of life-forms is recorded as helophytes which attained value of 4.65%.

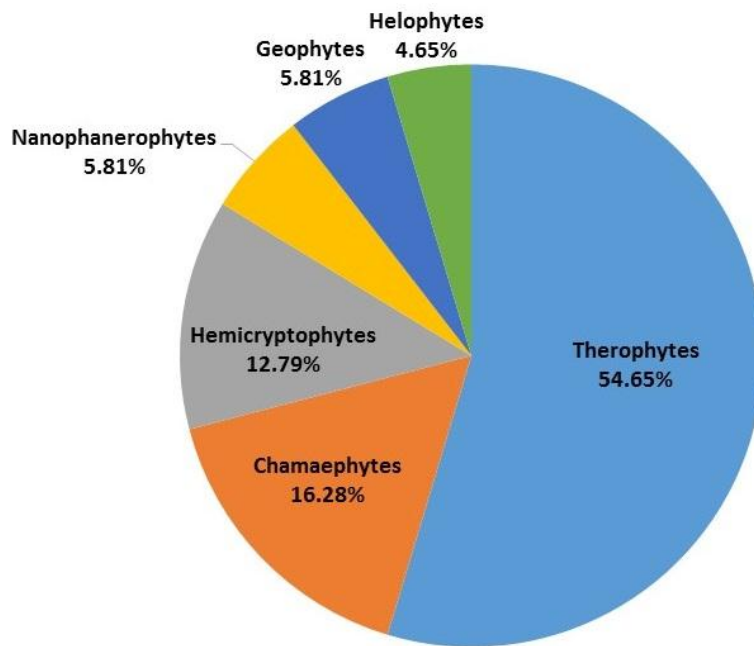


Fig. 2. Plant life-forms of the recorded plant species in the study area

The chorological analysis of the floristic data reveals that, 49 species (58.32 %) of the total number of recorded species are Mediterranean taxa (Table 2). These taxa are either Pluriregional (18 species =21.42%), Biregional (17 species =20.23%) or Monoregional (14 species = 16.67 %). The other

floristic categories are constituted 18 species (14.52%) of the recorded species consisting of Saharo-Sindian (14.29), Saharo-Sindian + Irano-Turanian (5.95), Cosmopolitan (10.71%), Palaeotropical (2.38%) and Neotropical (1.19%).

Table 1. Floristic composition and mean of the importance values (out of 200) of the recorded species in the different vegetation group resulted from TWINSPAN classification of the study area. Per = Perennial; Ann = Annuals; Bi = Biennial; Th = Therophytes; Ch = Chamaephytes; H = Hemicryptophytes; He = Helophytes; G = Geophytes; Nph = Nanophanerophytes; COSM = Cosmopolitan; PAL= Palaeotropical; PAN= Pantropical; NEO= Neotropical; ME = Mediterranean; SA-SI = Saharo-Sindian; IR-TR = Irano-Turanian; ER-SR = Euro-Siberian; S-Z = Sudano-Zambezian; AUST = Australian; NAT = Naturalized.

No.	Species	Family	Duration	Life form	Chorotype	Vegetation groups			
						A	B	C	D
	No. of stands					8	12	17	23
	No. of species					47	39	52	71
1	<i>Achillia santolina</i> L.	Asteraceae	Per	Ch	ME	-	1.08	5.88	-
2	<i>Aegilops bicornis</i> (Forssk)	Poaceae	Ann	Ch	SA-SI	-	-	2.79	2.48
3	<i>Ammophila arenaria</i> (L.) Link	Poaceae	Per	Ch	SA-SI+IR-TR	0.45	-	-	3.27
4	<i>Anagallis arvensis</i> L	Primulaceae	Ann	H	ME+ SA-SI	1.09	-	1.75	0.22
5	<i>Anchusa humilis</i> (Desf.) I.M. Johnst	Boraginaceae	Ann	Nph	ME+SA-SI	-	-	0.31	0.78
6	<i>Artemisia judiaca</i> L.	Chenopodiaceae	Per	H	AUST	6.24	-	0.15	4.65
7	<i>Astragalus bombycinus</i> Boiss.	Fabaceae	Ann	He	SA-SI+S-Z	-	-	3.73	0
8	<i>Astragalus peregrinus</i> Vahl	Fabaceae	Ann	H	COSM	-	-	3.47	0.22
9	<i>Astragalus spinosia</i> (Forssk) Muschl.	Fabaceae	Per	H	ME+IR-TR	2.06	17.31	-	0.93
10	<i>Atractylis carduus</i> (Forssk.) C.Chr.	Asteraceae	Per	G	COSM	-	-	10.2	0.08
11	<i>Atriplex lindleyi</i> Moq.	Chenopodiaceae	Per	H	ME+SA-SI	0.68	-	1.41	0.69
12	<i>Atriplex halimus</i> L.	Chenopodiaceae	Per	H	ME	0.85	1.33	9.64	7.25
13	<i>Atriplex semibaccata</i> R.Br.	Chenopodiaceae	Per	H	ME	2.06	-	1.34	1.37
14	<i>Avena fatua</i> L.	Poaceae	Ann	Ch	ME	10.94	-	6.17	4.96
15	<i>Bassia indica</i> (Wight) A. J. Scott.	Chenopodiaceae	Ann	Ch	SA-SI	0.62	-	0.43	6.02
16	<i>Brassica tournefortii</i> Gouan	Brassicaceae	Ann	Ch	ME	4.53	-	3.22	0.65
17	<i>Bromus diandrus</i> Roth	Poaceae	Ann	Ch	ME+IR-TR+SA-SR	1.87	13.41	20.44	3.87
18	<i>Cakile maritima</i> Scop.	Brassicaceae	Ann	H	PAL	1.28	-	2.96	4.4
19	<i>Carduus getulus</i> Pomel	Asteraceae	Ann	He	ME+IR-TR+ER-SR	-	0.5	-	-
20	<i>Carduus pycnocephalus</i> L.	Asteraceae	Ann	H	SA-SI	0.36	0.24	-	1.59
21	<i>Carthamus tenuis</i> (Boiss. & Blanche) Bormm.	Asteraceae	Ann	G, He	SA-SI	15.26	-	-	2.28
22	<i>Cenchrus ciliaris</i> L.	Poaceae	Per	Th	ME+ER-SR+IR-TR	8.25	-	-	0.5
23	<i>Centaurea aegyptiaca</i> L.	Asteraceae	Bi	Th	ME	-	0.66	3.22	3.63
24	<i>Chenopodium murale</i> L.	Chenopodiaceae	Ann	Nph	SA-SI+S-Z	-	1.44	2.31	6.76
25	<i>Convolvulus arvensis</i> L.	Convolvulaceae	Per	Ch	ME+ SA-SI+S-Z	4.18	-	-	1.38
26	<i>Cynanchum acutum</i> L.	Asclepiadaceae	Per	Ch	NAT	2.07	2.21	1.29	1.03
27	<i>Cynodon dactylon</i> (L.) Pers.	Poaceae	Per	G	ME	11.25	5.42	1.56	8.79
28	<i>Echinops spinosus</i> L.	Asteraceae	Per	Ch	ME+SA-SI+S-Z	-	-	-	2.11
29	<i>Echium angustifolium</i> Mill.	Boraginaceae	Per	G, He	COSM	-	-	0	1.34
30	<i>Emex spinosa</i> (L.) Campd.	Polygonaceae	Per	Nph	SA-SI+S-Z	5.02	4.16	6.52	6.21
31	<i>Enarthrocarpus lyrotus</i> (Boiss)	Boraginaceae	Ann	G	ME+IR-TR	1.33	7.74	0.45	0
32	<i>Erodium laciniatum</i> (Cav.) Willd.	Geraniaceae	Ann	Nph	SA-SI	-	-	1.59	0.23
33	<i>Euphorbia terracina</i> L.	Euphorbiaceae	Ann	H	ME+IR-TR+ER-SR	-	3.5	-	0.18
34	<i>Euphorbia helioscopia</i> L.	Euphorbiaceae	Ann	Ch	ME	3.7	3.3	-	0.57
35	<i>Euphorbia paralias</i> L.	Euphorbiaceae	Ann	Ch	NEO	2.47	1.95	3.44	3.7
36	<i>Euphorbia peplus</i> L.	Euphorbiaceae	Ann	Nph	SA-SI	9.95	-	7.31	0.34
37	<i>Fagonia arabica</i> L	Zygophyllaceae	Per	Ch	ME	-	0.28	2.3	8.01
38	<i>Fagonia cretica</i> L	Zygophyllaceae	Per	Th	SA-SI	1.5	0.34	4.21	4.68
39	<i>Filago desertorum</i> Pomel	Asteraceae	Per	Th	ME+ER-SR+IR-TR	1.51	14.2	0.6	-
40	<i>Halocnemum strobilaceum</i> (Palla.) M. Bieb.	Chenopodiaceae	Per	Th	ME+SA-SI	-	-	5.74	0.3
41	<i>Imperata cylindrica</i> (L.) Rausch.	Poaceae	Per	Th	COSM	6.34	0.85	-	3.67

No.	Species	Family	Duration	Life form	Chorotype	Vegetation groups			
						A	B	C	D
42	<i>Juncus acutus</i> L.	Juncaceae	Per	Th	ME+SA-SI	-	-	-	1.47
43	<i>Lactuca serriola</i> L.	Asteraceae	Ann	H	SA-SI+IR-TR	-	22.75	1.09	3.44
44	<i>Launaea nudicaulis</i> (L.)Hook.f.	Asteraceae	Per	Th	SA-SI	3.25	-	-	3.06
45	<i>Lavatera cretica</i> L.	Malvaceae	Ann	Th	ME+IR-TR+ER-SR	0.79	12.9	-	2.9
46	<i>Legousia speculum-veneris</i> (L.) Chaix	Campanulaceae	Per	Th	PAL	-	-	-	1.38
47	<i>Limonium pruinatum</i> (L.) Chaz.	Plumbaginaceae	Per	Th	S-Z+IR-TR	-	-	3.77	-
48	<i>Lobularia arabica</i> (Boiss) Muehlenb.	Brassicaceae	Ann	Th	ME+IR-TR+SA-SI	1.11	0.58	5.52	1.02
49	<i>Lolium perenne</i> L.	Poaceae	Per	Th	ME	8.06	-	3.82	4.4
50	<i>Lotus polyphyllus</i> E. D. Clarke	Fabaceae	Per	Th	ME+ER-SR	1.36	11.05	2.94	0.7
51	<i>Lycium shawii</i> Roem	Solanaceae	Per	Th	SA-SI	-	2.99	1.66	3.58
52	<i>Malva parviflora</i> L.	Malvaceae	Ann	Th	SA-SI	6.29	1.53	4.48	2.13
53	<i>Medicago polymorpha</i> L.	Fabaceae	Ann	Th	ME	1.44	17.34	-	-
54	<i>Melilotus indicus</i> (L.) All.	Fabaceae	Ann	Th	COSM	7.57	3.68	10.39	3.67
55	<i>Mesembryanthemum crystallinum</i> L.	Aizoaceae	Ann	Th	ME+SA-SI	-	-	4.2	5.19
56	<i>Mesembryanthemum nodiflorum</i> L.	Aizoaceae	Ann	Th	SA-SI	-	-	13.89	1.45
57	<i>Moltkiopsis ciliata</i> (Forssk.) I. M. Jonst.	Boraginaceae	Per	Th	ME	-	1.83	-	2.29
58	<i>Nicotiana glauca</i> R. C. Graham	Solanaceae	Per	Th	ME+IR-TR+SA-SI	-	-	-	2.41
59	<i>Onobrychis crista-galli</i> .	Fabaceae	Ann	Th	ME+IR-TR+ER-SR	1.91	21.41	-	-
60	<i>Pancreatum maritimum</i> L.	Amaryllidaceae	Per	Th	SA-SI+IR-TR	-	-	-	0.7
61	<i>Paranochia argentea</i> L.	Gaeyophyllaceae	Per	Th	ME+IR-TR+ER-SR	1.37	20.91	2.56	-
62	<i>Parapholis incurra</i> (L.) C.E. Hubb.	Poaceae	Ann	Th	ME	-	-	0.13	-
63	<i>Phragmites australis</i> (Cav.) Trin.ex Steud.	Poaceae	Per	Th	ME+ IR-TR	-	-	3.55	8.14
64	<i>Plantago lagopus</i> L.	Plantaginaceae	Ann	Th	ME	-	-	2.81	3.21
65	<i>Pluches dioscoridis</i> (L)	Asteraceae	Per	Th	ME+IR-TR	-	1.64	-	1.11
66	<i>Poa annua</i> L.	Poaceae	Ann	Th	M+IR-TR+SA-SI	-	-	0.76	-
67	<i>Polygonum equisetiforme</i> Sm.	Polygonaceae	Per	Th	ME+IR-TR+SA-SI	-	1.66	-	4.79
68	<i>Polypogon monosperma</i> (L.) Desf.	Poaceae	Ann	Th	ME+ER-SR	0.63	-	-	0.62
69	<i>Reichardia tingitana</i> (L.) Roth	Asteraceae	Ann	Th	ME+SA-SI+ER-SR	9.93	1.36	5.12	5.02
70	<i>Reseda decursiva</i> Forssk.	Resedaceae	Ann	Th	IR-TR+SA-SI	-	-	-	3.2
71	<i>Retama raetam</i> (Forssk.) Webb & Berthel.	Fabaceae	Per	Th	ME+IR-TR+ER-SR	-	-	-	2.18
72	<i>Senecio glaucus</i> L.	Asteraceae	Ann	Th	ME+IR-TR	9.96	4.16	5.08	6.13
73	<i>Silybum marianum</i> (L.) Gaertn.	Asteraceae	Per	Th	COSM	-	0.14	4	-
74	<i>Sisymbrium irio</i> L.	Brassicaceae	Per	Th	COSM	7.39	0.85	5.8	4.54
75	<i>Solainum nigrum</i> L.	Solanaceae	Ann	Ch	SA-SI+IR-TR	-	-	0.95	0.99
76	<i>Sonchus oleraceus</i> L.	Asteraceae	Ann	Th	ME+IR-TR	0.53	-	-	0.23
77	<i>Spergularia marina</i> (L.) Griseb.	Caryophyllaceae	Bi	Th	SA-SI	2.45	-	4.06	2.06
78	<i>Stellarra pallida</i> (Dumort.)Murb.	Caryophyllaceae	Ann	Th	ME+IR-TR+SA-SI	3.17	12.28	-	-
79	<i>Suaeda pruinosa</i> Lange	Chenopodiaceae	Per	Th	ME + SA-SI+ IR-TR+ER-SR	-	3.58	1.56	10.7
80	<i>Symphyotichum squamatum</i> (Spreng)	Asteraceae	Per	Th	COSM	6.66	-	-	0.88
81	<i>Tamarix nilotica</i> (Ehreb.)Bunge	Tamaricaceae	Per	Th	COSM	-	-	0.4	5.15
82	<i>Urospermum picroides</i> (L.) F.W. Schmidt	Asteraceae	Ann	Th	ME+ER-SR	12.06	1.57	-	2.39
83	<i>Urtica urens</i> L.	Urticaceae	Ann	Th	ME+IR-TR	14.31	-	-	0.41
84	<i>Zygophyllum aegyptium</i> Hosny	Zygophyllaceae	Per	Th	ME+IR-TR+ER-SR	0.94	-	-	3.9

Table 2. Number of species and percentage of various floristic categories of the study area.

No.	Floristic category	No.	%	Type
1	COSM	9	10.71	World wide
2	NEO	1	1.19	
3	PAL	2	2.38	
4	ME+IR-TR+SA-SI+ER-SR	1	1.19	Pluriregional
5	ME+IR-TR+ER-SR	9	10.71	
6	ME+IR-TR+SA-SI	5	5.95	
7	ME+SA-SI+ER-SR	1	1.19	
8	ME+S-Z+SA-SI	2	2	
9	ME+IR-TR	7	8.33	Biregional
10	ME+ER-SR	3	3.57	
11	ME+SA-SI	7	8.33	
12	IR-TR+SA-SI	5	5.95	
13	S-Z+IR-TR	1	1.19	
14	S-Z+SA-SI	3	3.57	Monoregional
15	ME	14	16.67	
16	SA-SI	12	14.29	
17	AUST	1	1.19	
18	NAT	1	1.19	
Total		84	100	

Abbreviation: COSM = Cosmopolitan; PAL= Palaeotropical; PAN= Panropical; NEO= Neotropical; ME = Mediterranean; SA-SI = Saharo-Sindian; IR-TR = Irano-Turanian; ER-SR = Euro-Siberian; S-Z = Sudano-Zambeian; AUST = Australion; NAT = Naturalized.

3.2. Vegetation analysis

The application of TWINSpan classification on the importance values (out of 200) of 84 plant species recorded in 60 stands representing the study area, led to the recognition of four vegetation groups (Table 1 and Figure 3).

Group A: It comprises 8 stands dominated by *Carthamus tenuis* with the highest mean importance value (IV = 15.26), the abundant species include *Urtica urens* (IV = 14.31), *Urospermum picroides* (IV = 12.06) and *Cynodon dactylon* (IV = 11.25). The indicator species in this group which attains low IV are *Brassica tournefortii* (IV= 4.53) and *Chenopodium murale* which attained low IV is 0.36 (Table 1). Soil in these stands showed that it has the highest values for many measured soil variables (sand, pH, SO₄²⁻ and cations) (Table 3).

Vegetation group B consists of twelve stands of the studied area dominated by *Lactuca serriola* (IV =22.75). The abundant species include *Onobrychis crista-galli* (IV = 21.41), *Paranochia argentea* (IV = 20.91), *Medicago polymorpha* (IV = 17.34) and *Astragalus spinosia* (IV = 17.31). The indicator species in this group are *Bromus diandrus* (IV = 13.41) and *Centaurea aegyptiaca* which attains low IV is 0.66 (Table 1). The soil of this group was characterized by high content of CaCO₃, cations and high percentage of silt and porosity (Table 3).

Group C is dominated by *Bromus diandrus* (IV = 20.44) inhabiting 17 stands. The abundant species include

Mesembryanthemum nodiflorum (IV = 13.89), *Melilotus indicus* (IV = 10.39), *Atractylis carduus* (IV = 10.20) and *Atriplex halimus* (IV = 9.64). The indicator species in this group is *Avena fatua* (IV=6.17) (Table 1). Most of the examined soil variables in this group (pH, EC, anions and cations) attained their highest levels in the stands of this group (Table 3).

Floristic group D consists of 23 stands dominated by *Suaeda pruinosa* (IV = 10.70). The abundant species in this group include *Cynodon dactylon* (IV = 8.79), *Phragmites australis* (IV = 8.14) and *Fagonia arabica* (IV = 8.01). In this group, the indicator species is *Tamarix nilotica* (IV = 5.15) (Table 1). Soils of the stands of this group were rich in their silt, clay, WHC, OC, Cl⁻ and HCO₃⁻ (Table 3).

3.3. Ordination of stands

The application of DCA on 60 stands along axes 1 and 2 indicated that the vegetation groups yielded by TWINSpan classification are distinguishable and having a clear pattern of segregation on the ordination plane except groups C and D interconnected (Figure 4). Stands of group A is separated at the upper part of the middle of the DCA diagram. Group B is clear segregated (the right side) along the two axes of DCA. While, Group C is separated the middle part of the DCA diagram. On the other hand, group D is segregated at the lower part of the middle of the DCA diagram.

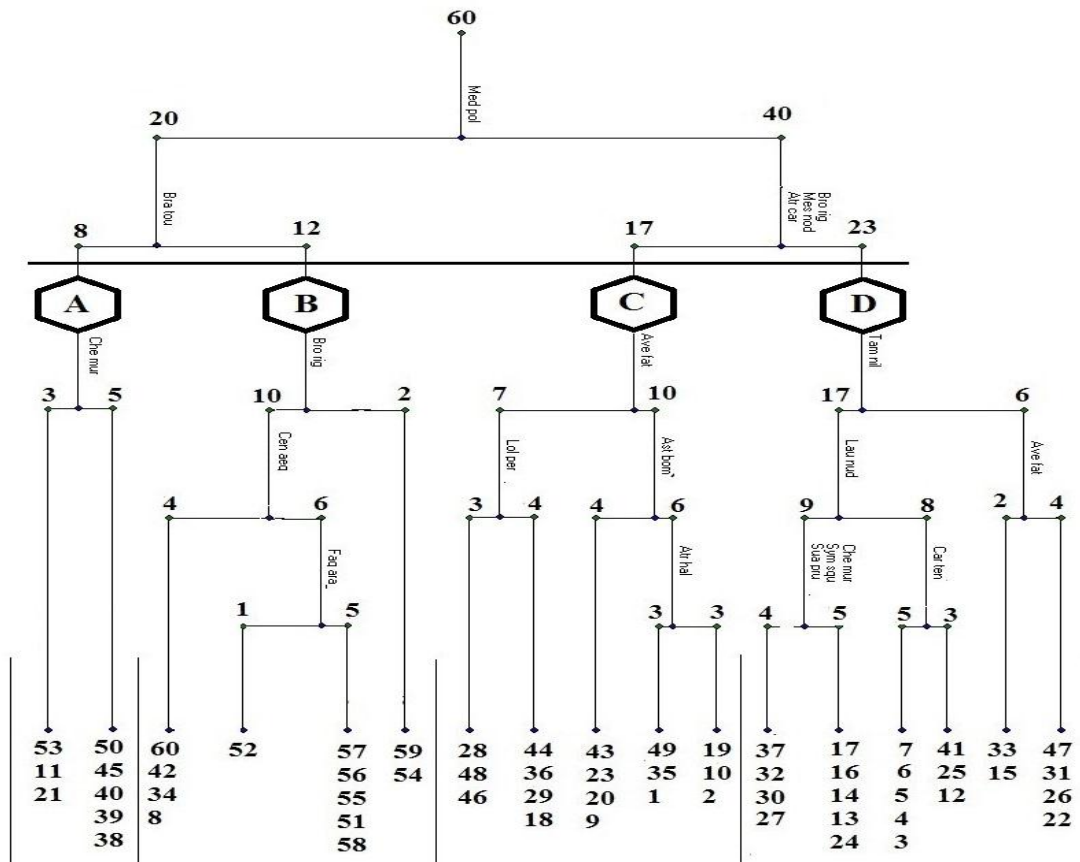


Fig. 3. Two Way Indicator Species Analysis (TWINSPAN) dendrogram of the 60 sampled stands based on the importance values of the 84 species. The indicator species are abbreviated by the first three letters of genus and species respectively.

Table 3. Soil variables (mean ± standard error) in the stands representing the different vegetation groups obtained by TWINSPAN classification in the study area. WHC: Water holding capacity, OC: Organic carbon, EC: Electrical conductivity.

Soil variable	Vegetation groups				LSD _{0.05}
	A	B	C	D	
Sand %	76.92±1.90	75.88±2.50	75.90±1.24	73.07±1.55	10.72
Silt %	14.55±0.97	15.38±1.36	14.58±0.65	16.62±0.86	4.4
Clay %	8.54±1.03	8.76±1.22	9.52±0.68	10.31±0.73	2.75
Porosity %	27.08±1.48	29.88±1.00	25.95±0.87	25.78±0.74	6.76
WHC %	28.64±1.84	30.50±1.98	29.21±1.06	30.94±1.33	4.89
CaCO ₃ %	3.18±0.23	3.20±0.25	2.82±0.17	2.61±0.16	0.72**
OC %	0.95±0.15	1.03±0.15	1.01±0.09	1.07±0.09	0.41*
pH %	8.04±0.08	7.95±0.07	8.04±0.05	8.03±0.04	0.92
EC (mS.cm ⁻¹)	2.02±0.14	1.86±0.11	2.15±0.10	2.00±0.08	1.05*
Cl ⁻ %	0.18±0.03	0.11±0.02	0.20±0.03	0.20±0.02	0.17*
SO ₄ ⁻ %	0.05±0.01	0.04±0.00	0.05±0.01	0.04±0.00	0.03
HCO ₃ ⁻ %	0.05±0.01	0.04±0.01	0.06±0.01	0.06±0.00	0.02**
Na ⁺ mg /100g dry soil	81.31±12.89	76.32±9.09	90.34±9.11	83.99±5.31	27.28**
K ⁺ mg /100g dry soil	11.02±1.54	10.73±1.24	11.47±1.18	10.36±0.65	4.38
Ca ⁺⁺ mg /100g dry soil	22.58±3.28	20.98±2.50	24.49±2.51	22.67±1.40	4.03**
Mg ⁺⁺ mg /100g dry soil	8.76±1.24	8.31±0.99	9.39±1.06	8.46±0.59	2.88

Significant difference after Duncan's test (P≤0.05).

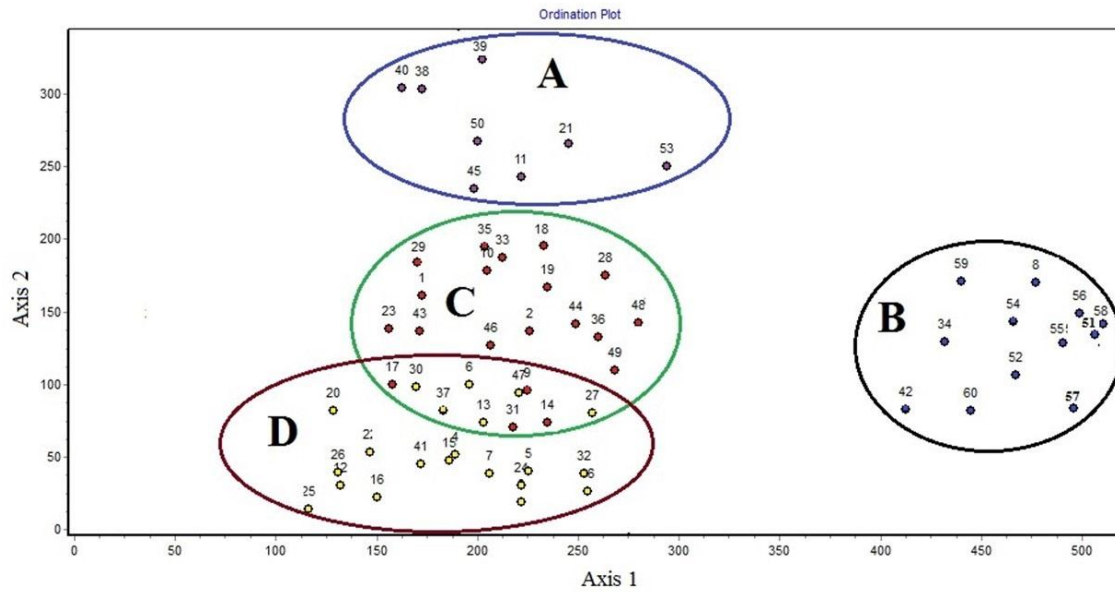


Fig. 4. Detrended Correspondence Analysis (DCA) ordination diagram of 60 stands of study area.

3.4. Soil-vegetation relationships

The soil analysis of the represented stands of the four separated vegetation groups indicated considerable significant variations in soil variables (Table 3). The soil texture in all groups is formed mainly of coarse fraction (sand) and partly of fine fractions (silt and clay). Calcium carbonate, organic carbon, electrical conductivity, chloride, bicarbonate, sodium and calcium showed clear significant differences between groups at $P < 0.01$ and $P < 0.05$, respectively. Some other soil variables showed no significant correlation such as soil texture (silt, sand and clay), water-holding capacity, porosity, pH, sulphates, potassium and magnesium.

The correlation coefficient (r) between the different soil variables in the sampled stands are shown in Table (4). It has been found that, most soil variables are significant positively correlated with other soil variables. It has been also found that, some soil variables such as sand, pH and CaCO_3 have significant negative correlation or no correlation with soil variables were shown.

The correlation between vegetation and soil characteristics is shown on the ordination diagram produced by Canonical Correspondence Analysis (CCA) of the biplot of species-environment. As shown in Figure (5), it is clear that, the percentages of sand, clay, porosity, CaCO_3 , Cl^- , SO_4^{--} ,

HCO_3^- and cations (Na^+ , K^{++} , Ca^{++} and Mg^{++}) are the most effective soil variables, which showed a high significant correlations with the first and second axes of CCA ordination diagram. The dominant (*Lactuca serriola*) and abundant species (*Paranochia argentea* and *Astragalus spinosia*) of group B are separated at the upper right side of CCA-biplot diagram. These species in group B showed a close relationship with sand, porosity and CaCO_3 . The dominant species (*Carthamus tenuis*) and abundant species (*Urospermum picroides*, *Cynodon dactylon*, *Fagonia arabica* and *Avena fatua*) in groups A, C and D are separated at the upper left side of CCA biplot diagram and no correlation are shown with any soil variables. *Onobrychis crista-galli* and *Medicago polymorpha* as the abundant species in group B are segregated at the lower right side of the diagram. These species exhibited a clear relationship with potassium only. On the other hand, the dominant species (*Bromus diandrus* and *Suaeda pruinosa*) in groups C and D, respectively, and abundant species (*Mesembryanthemum nodiflorum*, *Melilotus indicus*, *Atractylis carduus* and *Atriplex halimus*) of group C as well as *Phragmites australis* as the abundant species in group D are segregated at the lower left side of the diagram. These species exhibited a clear relationship with Cl^- , SO_4^{--} , HCO_3^- and cations (Na^+ , Ca^{++} and Mg^{++}).

Table 4. Pearson-moment correlation (r) between the soil variables in the stands surveyed in the study area. Por.: Porosity; WHC: Water holding capacity; EC: Electrical conductivity; OC: Organic carbon, ns = not significant at P < 0.05. *: Values are significant at P < 0.05, **: Values are significant at P < 0.01, ***: Values are significant at P < 0.001.

Soil variables	Sand	Silt	Clay	Por.	WHC	CaCO ₃	OC	pH	EC	Cl ⁻	SO ₄ ²⁻	HCO ₃ ⁻	Na ⁺	K ⁺	Ca ⁺⁺
Silt	-0.965**														
Clay	-0.957**	0.848**													
Por.	-0.397**	0.357**	0.410**												
WHC	-0.973**	0.927**	0.945**	0.566**											
CaCO ₃	0.725**	-0.616**	-0.787**	-0.332**	-0.703**										
OC	-0.921**	0.814**	0.964**	0.601**	0.955**	-0.715**									
pH	0.812**	-0.703**	-0.866**	-0.785**	-0.903**	0.630**	-0.956**								
EC	-0.071	-0.02	0.165	0.062	0.09	-0.184	0.216	-0.185							
Cl ⁻	-0.314*	0.24	0.371**	-0.148	0.239	-0.511**	0.291*	-0.157	0.614**						
SO ₄ ²⁻	-0.218	0.153	0.272*	0.115	0.203	-0.362**	0.288*	-0.255*	0.592**	0.834**					
HCO ₃ ⁻	-0.322*	0.259*	0.365**	-0.257*	0.228	-0.346**	0.277*	-0.129	0.538**	0.904**	0.858**				
Na ⁺	-0.248	0.163	0.322*	0.151	0.255*	-0.418**	0.335**	-0.309*	0.631**	0.865**	0.957**	0.849**			
K ⁺	-0.156	0.086	0.221	0.310*	0.2	-0.329*	0.294*	-0.330**	0.627**	0.750**	0.939**	0.712**	0.961**		
Ca ⁺⁺	-0.224	0.145	0.292*	0.216	0.237	-0.406**	0.329*	-0.319*	0.638**	0.835**	0.971**	0.805**	0.986**	0.980**	
Mg ⁺⁺	-0.195	0.133	0.247	0.221	0.206	-0.353**	0.291*	-0.291*	0.594**	0.779**	0.982**	0.785**	0.950**	0.958**	0.976**

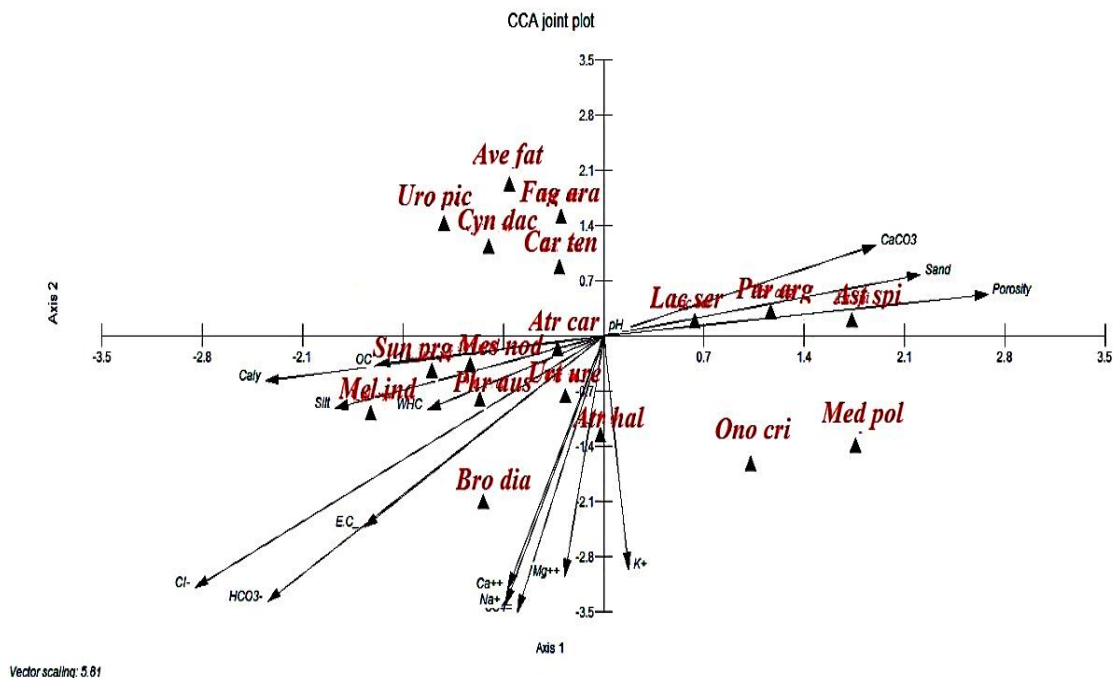


Fig. 5. Canonical Correspondence Analysis (CCA) ordination diagram of the first two axes showing the distribution of the plant species with soil variables in the study area.

4. Discussion

Roads, being a major human promoter of urbanization, allow for plants to be dispersed by transportation and road building materials. Roads are ecological corridors which support the expansion of a taxon's geographical distribution (Hayasaka *et al.* 2012).

The floristic analysis of the present study revealed that roadside habitat of the international highway comprises 84 plant species, mainly annuals, where the plants were flourished after the rainfall. The Western Mediterranean coastal belt is by far the richest part of Egypt in its floristic composition owing to its relatively high rainfall in the winter season (Zahran and Willis, 2009). Annual plants characterized by high reproductive capacity, as well as ecological, morphological and genetic plasticity (Grime, 1979; Kowarik, 1985).

In association with other relevant studies, Asteraceae, Poaceae, Chenopodiaceae, Fabaceae and Brassicaceae were the major families and also is the most common families in Mediterranean North African flora (Abd El-Gawad and Shehata, 2014; El-Amier *et al.*, 2014; El-Amier and Abd El-Gawad, 2017). Asteraceae is the largest and most widespread family of the flowering plants in the world (Walters and Keil, 1996).

The life-forms of the flora in the present study showed that therophytes are the most represented form, where it may be attributed to their short lifespan, they become abundant only during the rainy season, which enables them to resist the instability of environmental conditions, the Mediterranean climate, topography variation and biotic influence (Ayyad and El-Ghareeb, 1982; Heneidy and Bidak, 2001). Moreover, the relative high frequencies of both chamaephytes and hemicryptophytes in the present study may be attributed to distinct defense against the physiological stresses and ability of these species to resist sand accumulation and grazing (Danin and Orshan, 1990; Danin, 1996). El-Amier and Abd El-Gawad (2017) recorded about 56.95%, 13.25% and 9.93% of therophytes, hemicryptophytes and chamaephytes in the vegetation analysis of the international coastal highway along north Nile delta. Abd El-Ghani *et al.* (2005) illustrated that chamaephytes were the predominant life form (32%) of the recorded flora of the international coastal highway along El Arish and Rafah, followed by therophytes (31%) and hemicryptophytes (17%). Also, Abd El-Ghani *et al.* (2013) reported that, about 31.15%, 28% and 18% of therophytes, hemicryptophytes and chamaephytes are represented in the vegetation of Qift-Qusier roadside, respectively,

The prevalence of the Mediterranean chorotype of the listed flora in the study area reflects the Mediterranean climate of studied area. This result agrees with most of related studies (Salama *et al.*, 2013; Barakat *et al.*, 2014; El-Amier, 2016; El-Amier and Abd El-Gawad, 2017). Saharo- Sindian and Mediterranean chorotypes accounted for 30.96% of recorded plants. This may be attributed to the fact that plants of the Saharo-Arabian species are good indicators for harsh desert environmental conditions, while Mediterranean species are considered as signal to mesic environment (El-Husseini *et al.*, 2008; Abd El-Ghani *et al.*, 2011). The whole country lies within the Saharo-Arabian belt of the Holarctic floristic realm

(Abd El-Ghani *et al.*, 2011). Furthermore, a combination of different floristic elements such as Cosmopolitan, Palaeotropical, Neotropical, Saharo-Sindian and Irano-Turanian are represented by a variable number of species in the roadside environment. This can be attributed to the roadside environments that may be exposed to many potential biotic and abiotic pressures on a plant community as well as the ability of certain floristic elements to penetrate the study area from several adjacent phytogeographical regions (Zahran and Willis, 2009).

The roadside habitat of the international coastal highway dominated with different plant communities. In the present study we determine four communities, two (communities C and D) were the richest and diverse, while community A and B is the smallest and less diverse. In accordance, the ordination of the plant communities showed that clear pattern of segregation on the ordination plane for A and B groups, while groups C and D interconnected, reflecting more similar vegetation structure and environmental variables. Among the identified communities, community D, dominated with *Suaeda pruinosa* and abundant species (*Mesembryanthemum nodiflorum*, *Atractylis carduus* and *Atriplex halimus*) of group C were mainly correlated with salinity, cations and organic matter which could be correlated to the intrusion of saline water and the anthropogenic activities (Abd El-Gawad and Shehata, 2014; El-Amier and Abd El-Gawad, 2017). From my point of view the high species diversity of groups C and D in the study area may be related to the high disturbance of their substrates as a result of agriculture practicing, farming processes and other excessive human disturbances.

Moreover, the vegetation composition of groups A and B in the present study has very much in common with that in Israel (Barbour *et al.* 1981, Tielbörger 1997), and in the middle Mediterranean coast of Egypt (El-Amier *et al.*, 2014; El-Amier and Abd El-Gawad, 2017). Low species presence in these vegetation groups may be related to their high soil salinity. Such salinity stress on species diversity in the study area and related areas was reported by Moustafa and Klopatek (1995); Shaltout *et al.* (1997) and Abd El-Ghani and El-Sawaf (2005).

References

- Abd El-Gawad, A.M. and Shehata, H.S. (2014). Ecology and development of *Mesembryanthemum crystallinum* L. in the Deltaic Mediterranean coast of Egypt. *Egyptian Journal of Basic and Applied Sciences*, 1(1): 29-37.
- Abd El-Ghani, M.M. and El-Sawaf, N. (2005). The coastal roadside vegetation and environmental gradients in the arid land of Egypt. *Community ecology*, 6(2): 143-154.
- Abd El-Ghani, M.M., El-Kheir, M.A., Abdel-Dayem, M. and El-Hamid, M.A., (2011). Vegetation analysis and soil characteristics of five common desert climbing plants in Egypt. *Turkish Journal of Botany*, 35(5), pp.561-580.
- Abd El-Ghani, M.M., Salama, F.M. and El-Tayeh, N.A. (2013). Desert roadside vegetation in eastern Egypt and environmental determinants for its distribution. *Phytologia Balcanica: International Journal of Balkan Flora and Vegetation*, 19(2), pp.233-242.

- Abdel Rahman, A. A. and El Hadidy, M.N. (1958). Observations on water output of the desert vegetation along Suez Road. *Egyptian Journal of Botany*, 1:19-38
- Allen, S. E., Grimshaw, H.M., Parkinson, J.A. and Quarmby, C. (1974). Chemical analysis of ecological materials. *Blackwell Scientific Publications*.
- Ayyad, M. A. and El-Ghareeb, R. (1982). Salt marsh vegetation of the western Mediterranean desert of Egypt. *Journal of Vegetation Science*, 49: 3-19 .
- Barakat, A., Chueter, S., Monlau, F., Solhy, A. and Rouau, X. (2014). Eco-friendly dry chemomechanical pretreatments of lignocellulosic biomass: impact on energy and yield of the enzymatic hydrolysis. *Applied Energy – Journal*, 113: 97-105.
- Boulos, L. (1999-2005). Flora of Egypt, vol. 1-4. Cairo: *Al Hadara Publishing, Cairo, Egypt*.
- Canfield, R. (1941). Application of the Line Interception Method in Sampling Rang Vegetation. *Journal of Forestry*, 39: 288-394.
- Danin, A. (1996). Plants of desert dunes. *Springer, Berlin, Germany*.
- Danin, A. and Orshan, G. (1990). The distribution of Raunkiaer life forms in Israel in relation to the environment. *Journal of Vegetation Science*, 1(1): 41-48.
- Davies Z.G. and Pullin, A. S. (2007). 'Are hedgerows effective corridors between fragments of woodland habitat? An evidence-based approach. *Landscape Ecology*, 22(3): 333-351 .
- Eid, H. M. and El-Marsafawy, S.M. (2002). Adaptation to climate in Egyptian agriculture and water resources.3rd international symposium on sustainable agro-environmental systems: *new technologies and applications*, Cairo. 26-29 October.
- El-Amier, Y. A. and Abdulkader, O. M. (2015). Vegetation and species diversity in the Northern sector of Eastern Desert, Egypt. *West African Journal of Applied Ecology*, 23(1): 75–95.
- El-Amier, Y. A., El-Halawany, E.F. and Abdullah, T.J. (2014). Composition and diversity of plant communities in sand formations along the Northern coast of the Nile Delta in Egypt. *Research Journal of Pharmaceutical, Biological and Chemical Sciences*, 5: 826-847.
- El-Amier, Y.A. (2016). Vegetation structure and soil characteristics of five common geophytes in desert of Egypt. *Egyptian Journal of Basic and Applied Sciences*, 3(2): 172-186.
- El-Amier, Y.A. and El-Gawad, A.M.A. (2017). Plant communities along the international coastal highway of Nile delta, Egypt. *Journal of Scientific Agriculture*, 1: 117-131.
- El-Husseini, N., Abd El-Ghani, M.M. and El-Naggar, S. M. (2008). Biogeography and diversity of the tubiflorae in Egypt. *Polish Botanical Journal*, 53: 105-124.
- El-Raey, M. (1997). Vulnerability assessment of the coastal zone of the Nile Delta of Egypt to the impacts of sea level rise. *Ocean and Coastal Management*, 37(1): 29-40.
- El-Sadek, L.M. and Ayyad, M.A. (2000). Genetic diversity as a basic component of biodiversity: case studies in Egypt. In Plant systematics for the 21st century: Proceedings from a symposium held at the Wenner-Gren Centre, *Stockholm, Sweden, September 1998* (pp. 239-250). Portland Press.
- Flory, S.L. and Clay, K. (2009). Effects of roads and forest successional age on experimental plant invasions. *Biological Conservation*, 142(11): 2531-2537.
- Grime, J.P. (1979). Plant Strategies and Vegetation Processes. John Wiley & Sons, Chichester
- Harga, A.A. (1967). Morphological and physico-chemical studies of Burg El-Arab-El-Hammam area (Doctoral dissertation, *M. Sc. thesis, Faculty of Agriculture, Ain Shams University, Cairo*).
- Hayasaka, D., Akasaka, M., Miyauchi, D., Box, E.O. and Uchida, T. (2012). Qualitative variation in roadside weed vegetation along an urban–rural road gradient. *Flora-Morphology, Distribution, Functional Ecology of Plants*, 207(2): 126-132.
- Heneidy, S.Z. and L.M. Bidak. (2001). Biodiversity of the plant species in Bisha, Asir region, southwestern Saudi Arabia. *Pakistan Journal of Biological Sciences*, 4: 1323-1330.
- Hill, M. O. and Šmilauer, P. (2005). TWINSpan for Windows version 2.3. Centre for ecology and hydrology; University of South Bohemia, Huntingdon and České Budějovice.
- Jackson, M. L. (1962). Soil chemical analysis. International Institute for Tropical Agriculture (IITA). Manual Series No. 1: 70 p.
- Jackson, S.D. (2000). Overview of Transportation Impacts on Wildlife Movement and Populations. Pp. 7-20 In Messmer, T.A. and B. West, (eds) *Wildlife and Highways: Seeking Solutions to an Ecological and Socio-economic Dilemma*. The Wildlife Society.
- Kassas, M. (1972). A brief history of land-use in mareotis region, Egypt. *Minerva Biology*, 1: 167-174.
- Kowarik, I. (1985). Grundlagen der Stadukologie und Forderungen Anhihrer Berücksichtigug bri der Stadgestaltung am Beispiel Berlins, Schriftenrh. *DBV. Jugend*, 3: 22-39.
- Meigs, P. (1973). World distribution of coastal deserts. Coastal deserts: their natural and human environment. University of Arizona Press, Tucson. Pp: 3-13.
- Morsy, A.A., Youssef, A.M., Mosallam, H.A. and Hashem, A.M. (2008). Assessment of selected species along Al-

- Alamein desert road. *Egyptian Journal of Applied Scientific Research*, 4(10): 1276-84.
- Pierce, W. C., Haenisch, E. L. and Sawyer, D. T. (1958). Quantitative Analysis. Wiley Toppen, Tokyo.
- Piper, C. S. (1947). Soil and plant analysis. Interscience Publishers, Inc. New York.
- Raunkiaer, C. (1934). The life Form of Plant and Statistical Plant Geography Translated by Carter Fausboll and Tansley, Oxford Univ. Press, London
- Salama, F., Abd El-Ghani, M. M. and El-Tayeh, N. (2013). Vegetation and soil relationships in the inland wadi ecosystem of central Eastern Desert, Egypt. *Turkish Journal of Botany*, 37(3): 489-498.
- Shaltout, K.H. (1983). An ecological study of *Thymelaea hirsuta* (L.) Endl. Egypt. Ph. D. Thesis, Tanta University.
- Shukla, R. S. and Chandel, P. S. (1989). Plant ecology and soil science. S. Chand & Company LTD. Ram Nagar, New Delhi, India.
- Spellerberg, I. A. N. (1998). Ecological effects of roads and traffic: a literature review. *Global Ecology and Biogeography*, 7(5): 317-333.
- Stottele, T. (1995). Vegetation und Flora am Strassennetz Westdeutschlands.
- Täckholm, V. (1974). Students' Flora of Egypt. 2nd. edn. *Publ. Cairo Univ., Beirut*, 888.
- terBraak, C.J. (1988). CANOCO-a FORTRAN program for canonical community ordination by [partial][etrended][canonical] correspondence analysis, principal components analysis and redundancy analysis (version 2.1) (No. LWA-88-02). MLV.
- Walters, D.R. and Keil, D. J.(1996). Vascular plant taxonomy. 4th ed. Dubuque, Iowa: Kendall/Hunt Publishing Co.
- Zahran, M. A. and Willis, A. J. (2009). Sustainable Development of Egypt's Deserts. In *The Vegetation of Egypt*, (pp. 335-374). Springer Netherlands.
- Zahran, M.A. and El-Amier, Y.A. (2013). Non-traditional fodders from the halophytic vegetation of the deltaic Mediterranean coastal desert, Egypt. *Journal of Biological Sciences*, 13(4): 226-233.
- Zohary M., 1966 and. (1972). *Flora Palaestina*. Vols.1 and 2. The Israel Academy of Science and Humanities, Jerusalem.

الملخص العربى
الغطاء النباتى وعلاقته بعوامل البيئية على طول الطريق الدولى
السريع - غرب الإسكندرية ، مصر

أشرف يوسف
ياسر أحمد الأمير

عدى نجم الحديثى
رنيفه أحمد حساتين

¹ قسم النبات - كلية العلوم - جامعه عين شمس - القاهرة - مصر

² قسم النبات - كلية العلوم - جامعه المنصوره - المنصوره - مصر

يتعرض الغطاء النباتى على جانب الطريق لمجموعة متنوعة من الإجهادات الحيوية واللاحيوية التى يمكن أن تؤثر على وفرة وتوزيع النباتات الطبيعية. هدفت الدراسة الحالية إلى وصف الخصائص البيئية للنبات على طول الطريق الساحلى الدولى من العجمى إلى رأس الحكمة ، غرب الإسكندرية ، مصر. فى هذه الدراسة قد تم تسجيل ٨٤ نوعا من النباتات الزهرية التى تنتمى الى ٧٤ جنس صنفت تحت ٢٥ فصيلة حيث اتضح ان الفصيلة المركبة و النجيلية و البقولية و الرمرامية هى الفصائل السائدة فى منطقة الدراسة (٥٣,٥٧ ٪). كما ان النباتات المسجلة بمنطقة الدراسة اشتملت على ٣٨ نوعا من النباتات المعمرة و نوعين من النباتات ثنائية الحول و ٤٤ نوعا من النباتات الحولية. وعلى أساس طرز الحياة النباتية وجد أن النباتات الحولية هى أكثر أشكال الحياة وفرة. ولقد أوضح التحليل الفلورى أن عنصر البحر المتوسط أكثر العناصر تواجدا (58.32%). على أساس قيمة الأهمية تم استخدام برنامج التصنيف ثنائى الاتجاه (TWINSPAN) امكن التعرف على ٤ مجموعات نباتيه ، تميزت المجموعة (A) بسياده نبات *Carthamus tenuis*، و المجموعة B فقد تميزت بسياده نبات قلم *Lactuca serriola*. بينما فى المجموعة C ساد نبات *Suaeda pruinosa* والمجموعة D سادها نبات *Bromus diandrus*. أظهرت كربونات الكالسيوم والكربون العضوي والتوصيل الكهربائي والبيكربونات والكلوريدات والصدويوم والكالسيوم اختلافات واضحة بين المجموعات. و باستخدام برنامج التوزيع التتابعى الكنسى (CCA) امكن تحديد اهم عوامل التربيه المؤثره فى توزيع ووفرة المجموعات النباتيه فى البيئات المختلفه بمنطقتي الدراسه وكانت هذه العوامل تشمل : المساميه و كربونات الكالسيوم والكبريتات والبيكربونات والكلوريدات والكاتيونات. وكشفت الدراسة الحالية أن القطاع الساحلى فى مصر يعانى من التنمية غير المخطط لها ، وتغلغل المياه المالحة وتملح التربة ، وبالتالي فإن تطوير الطريق السريع يحتاج إلى توازن بين المحافظة والتنمية.



Journal of Environmental Sciences

JOESE 5



Vegetation Composition Related to Environmental Factors Along the International Highway-West Alexandria, Egypt

¹Oday N. Al-Hadithy, ¹Ashrf M. Youssef, ¹Raifa A. Hassanein and ^{2*}Yasser A. El-Amier

¹*Botany Department, Faculty of Science, Ain Shams University, Egypt*

²*Botany Department, Faculty of Science, Mansoura University, Egypt*

Reprint

Volume 47, Number 3-4 : 115-127

(2018)