

Answer All Questions

Q-1 .a For the circuits shown in Fig.1.(a-b) determine V_O and I_D .

b For the circuits shown in Fig.1.(c-d), determine V_{O1}, V_{O2} .

Q.2. Sketch output voltage for each network for the input shown in Fig.2(a-d).

Q.3.a. Compare between the three different configurations of transistor.

b .Given the information appearing determine:

$$I_C, I_B, V_{CE}, V_B, V_E$$

Q.4.a Compare between FET and BJT.

b Determine the following parameters for circuit shown in Fig.4.

$$V_{GS}, V_{DS}, V_G, I_D, V_D, V_S$$

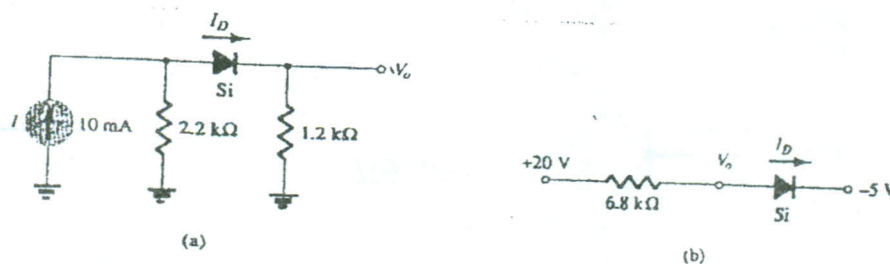


Fig-1

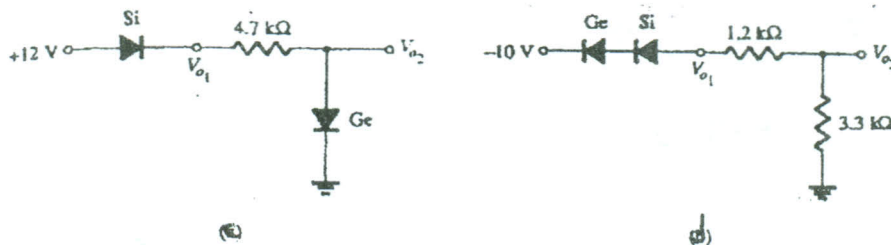
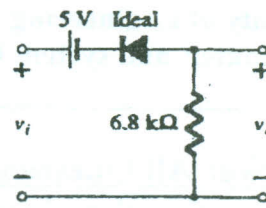
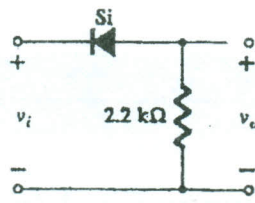
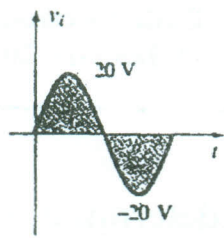


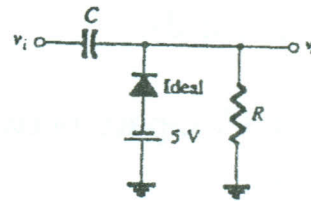
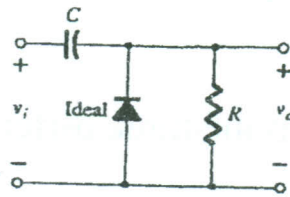
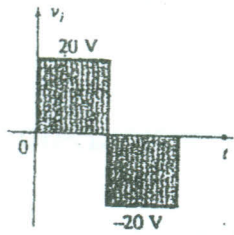
Fig-1.



(a)

(b)

Fig. 2



(c)

(d)

Fig. 2

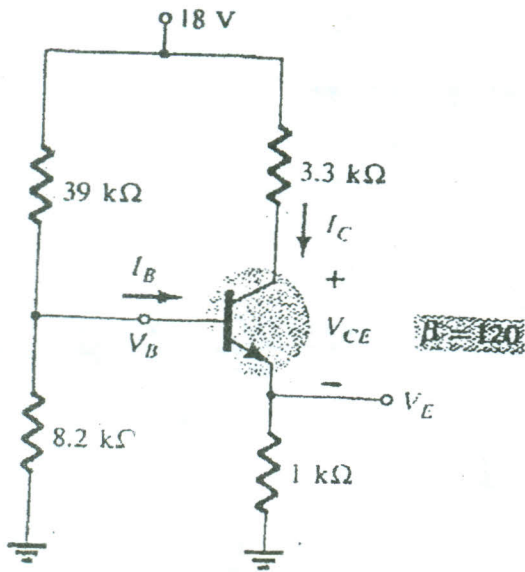


Fig. 3.

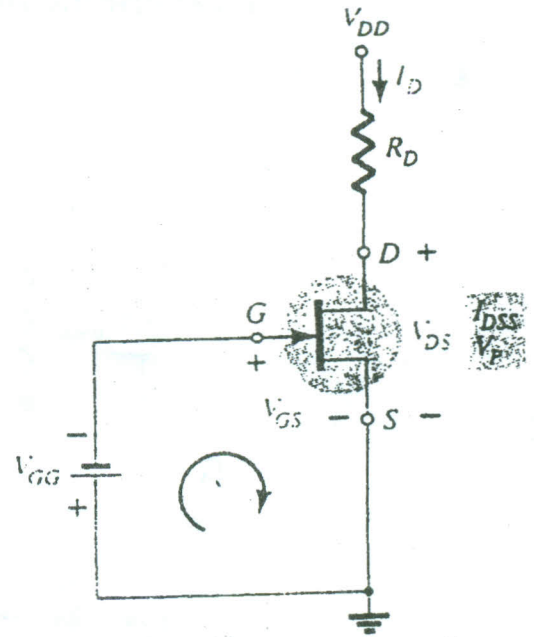


Fig. 4.