

ANSWER ALL QUESTIONS

Question One:

Determine Z_i , Z_o , A_v , A_i for the circuits shown in Figs. 1,2

Question two:

Determine Z_i , Z_o , A_v for the circuit shown in Fig.3

Question three:

Describe the operation of the circuit shown in Fig.4

Question Four:

- a) Design and draw an Op.Amp. with gain of 100 using IC 741 for noninverting input operation
- b) Design and draw a voltage controlled Oscillator to get a square wave with $f = 100\text{KHZ}$ using IC 566

Question Five :

Prove that the maximum Efficiency of class A power amplifier is 25%.

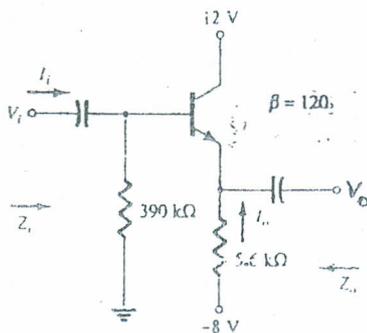


Fig.1

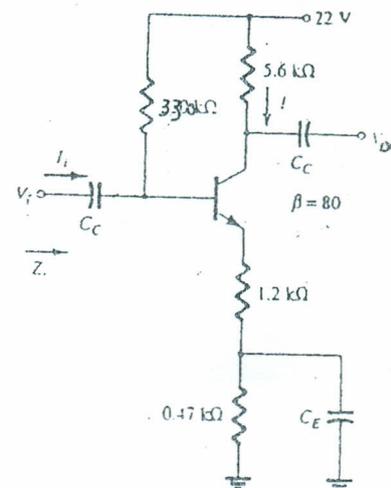


Fig.2

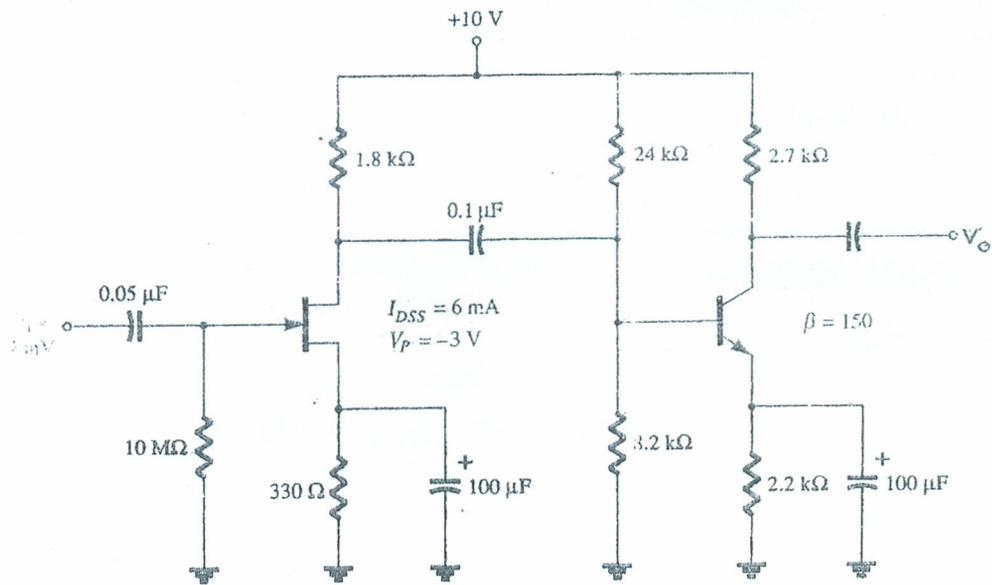


Fig.3

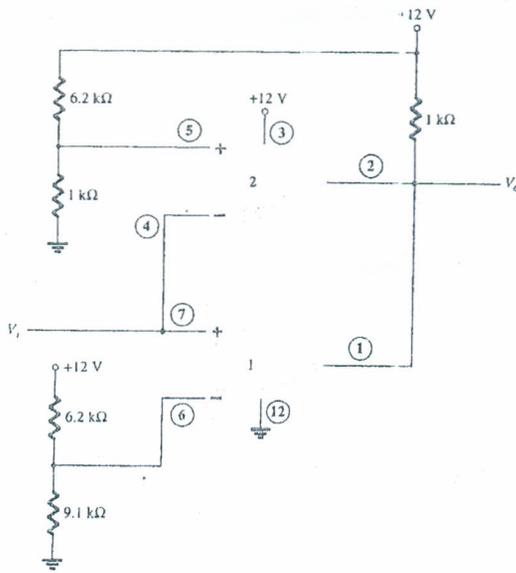


Fig.4

Good Luck